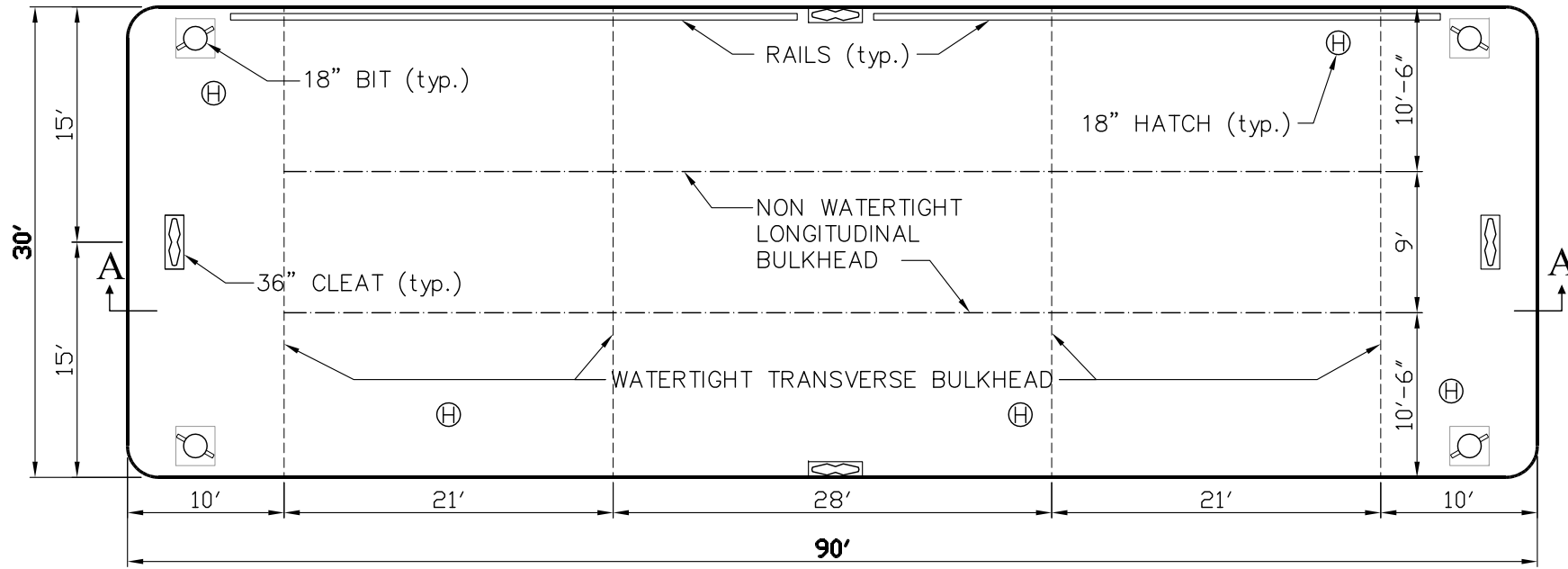
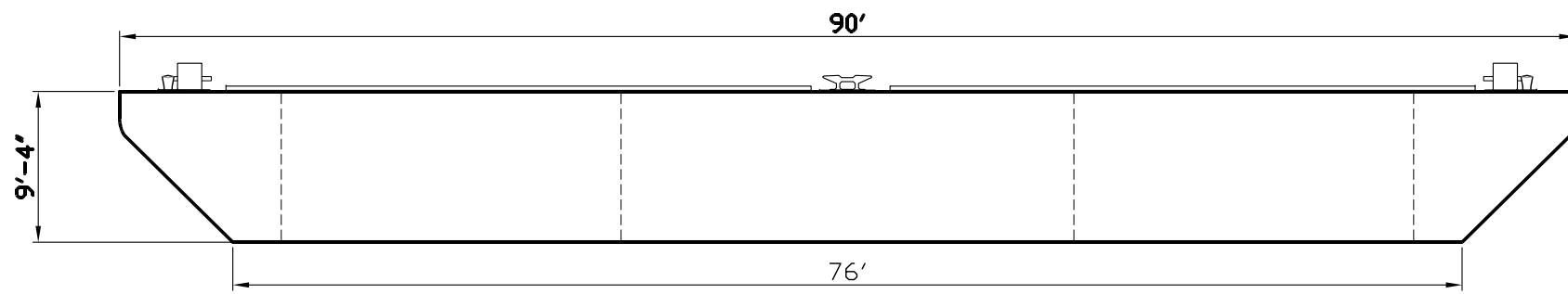


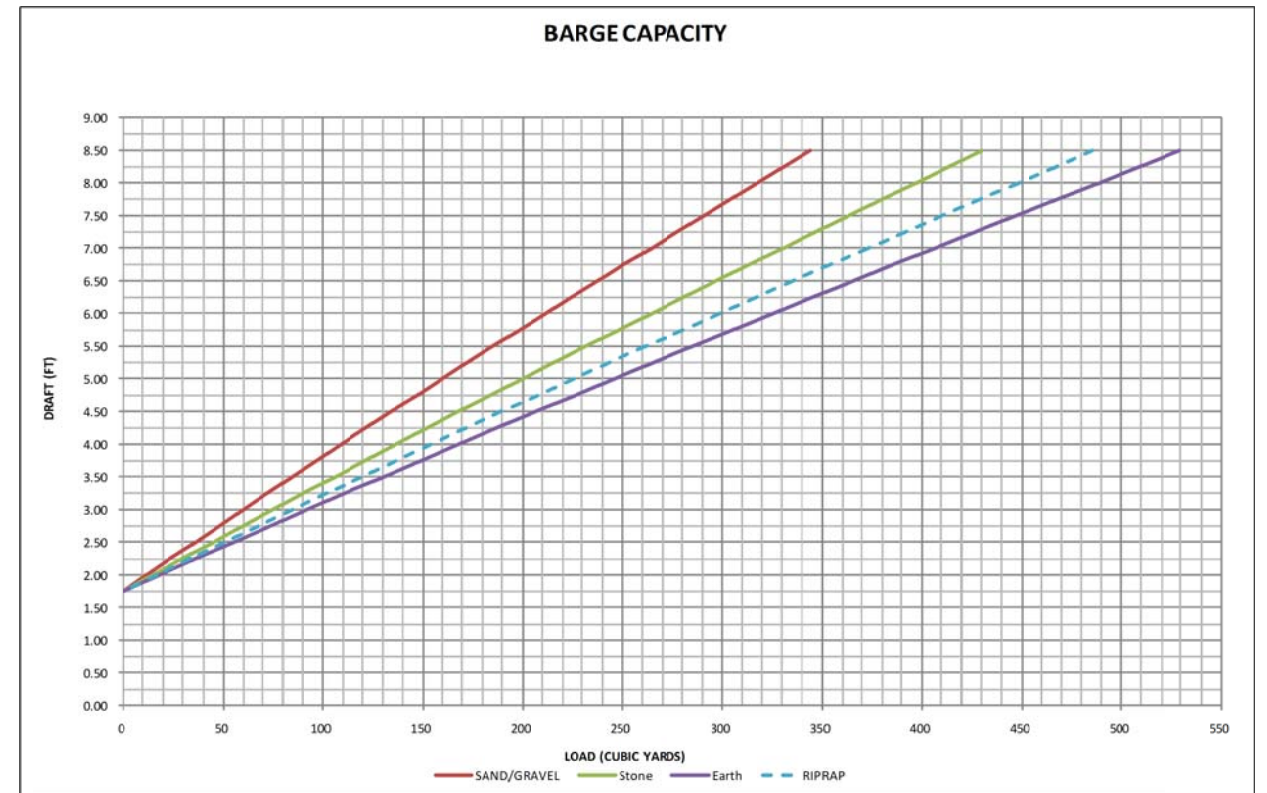
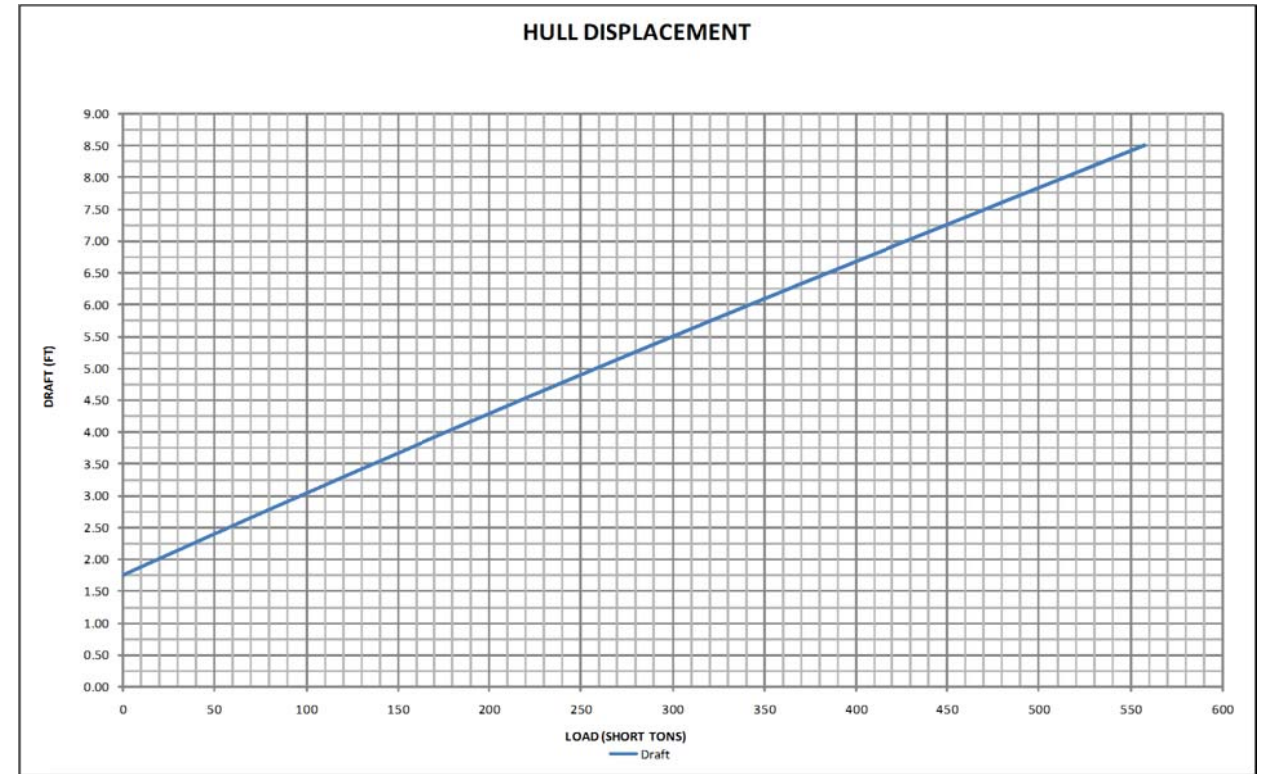
BARGE No. 13



DECK PLAN



SECTION A-A



TYPE:	DECK BARGE	DESIGNER	
LENGTH:	90'	DRAFTER	EA
BEAM:	30'	CHECKED	DATE
DEPTH:	9'-4"	APPROVED	DATE
BULKHEADS:	(4) TRANSVERSE	REV.	DESCRIPTION
CAPACITY:	SEE CHART	DR.	APPR. DATE

MOHAWK
NORTHEAST, INC.
170 CANAL ST. P.O. BOX 37
PLANTSVILLE, CT 06479-0037

NAME OF PROJECT:
BARGE No. 13
DRAWING TITLE:

SCALE:
AS NOTED
DATE:
05-15-09
DRAWING NUMBER:
1