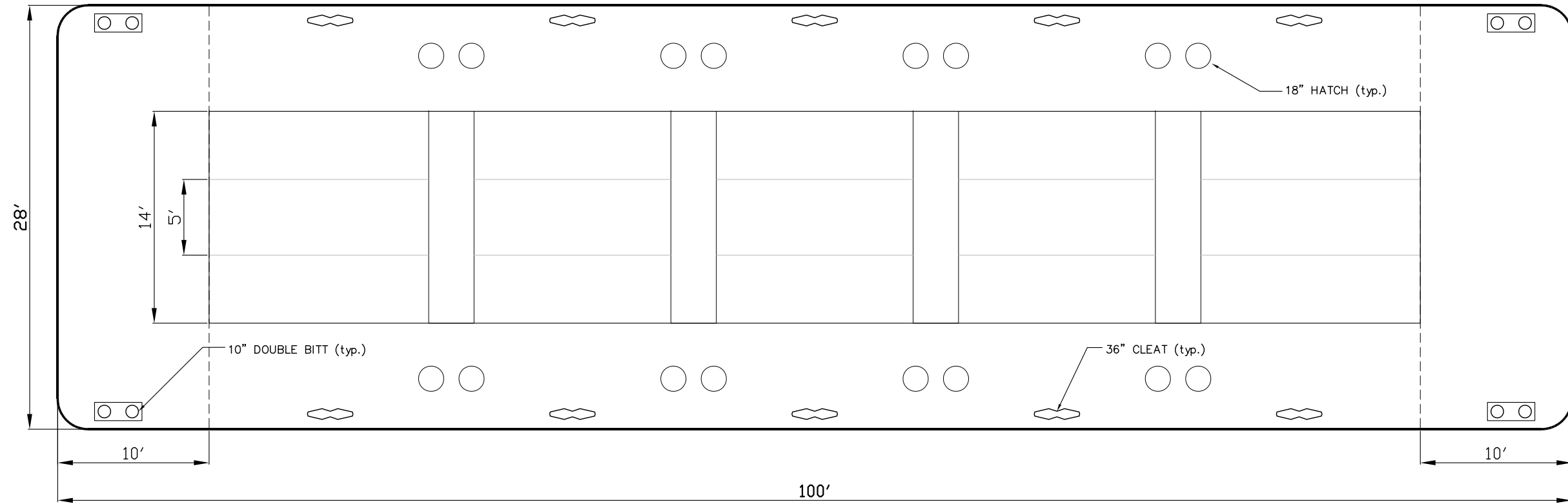
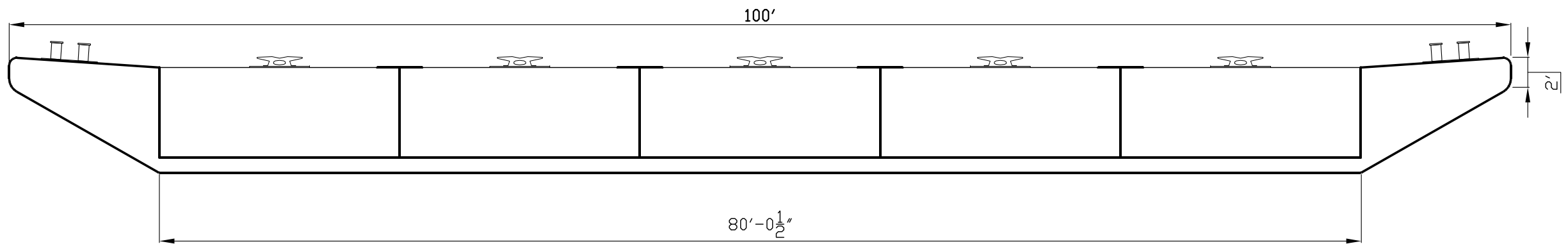


"DUMP SCOW 1"



DECK PLAN



SECTION A-A

TYPE:	DUMP SCOW	DESIGNER	
LENGTH:	100'	DRAFTER	EA
BEAM:	28'	CHECKED	DATE
DEPTH:	7'	APPROVED	DATE
BULKHEADS:		REV.	DESCRIPTION
CAPACITY:	SEE CHART	DR.	APPR. DATE

MOHAWK
NORTHEAST, INC.
170 CANAL ST. P.O. BOX37
PLANTSVILLE, CT 06479-0037

NAME OF PROJECT:
DUMP SCOW 1

DRAWING TITLE:

SCALE:
AS NOTED

DATE:
12-04-09

DRAWING NUMBER:
1