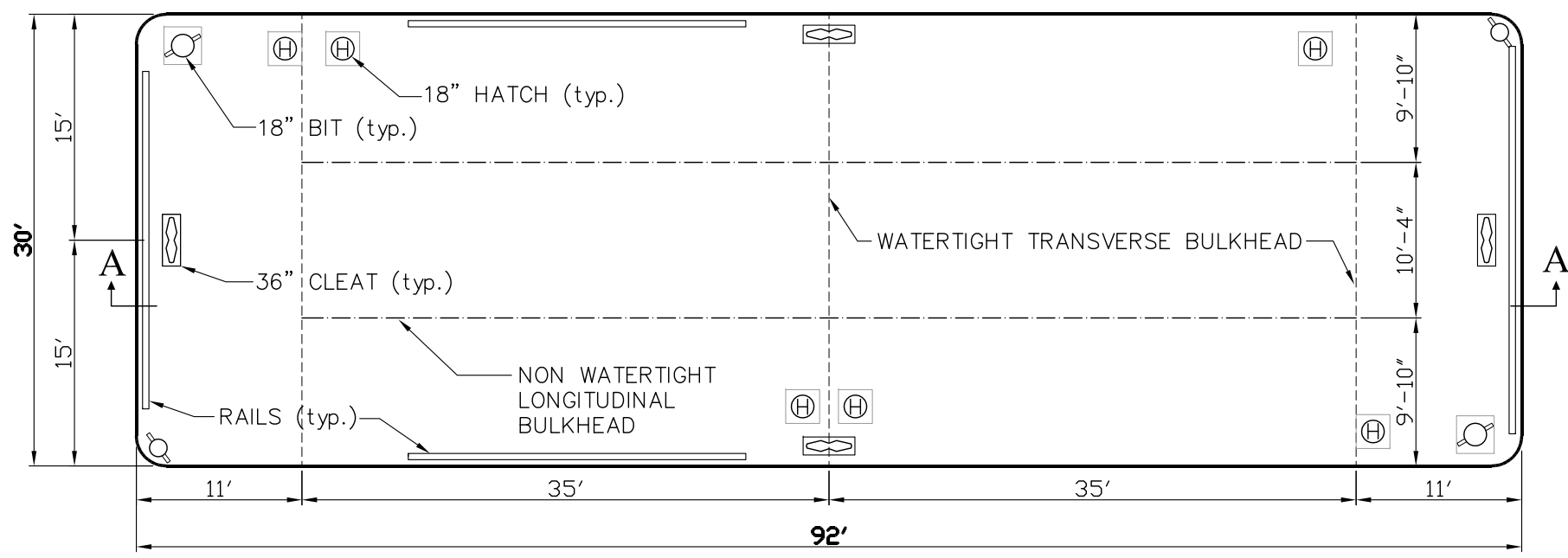
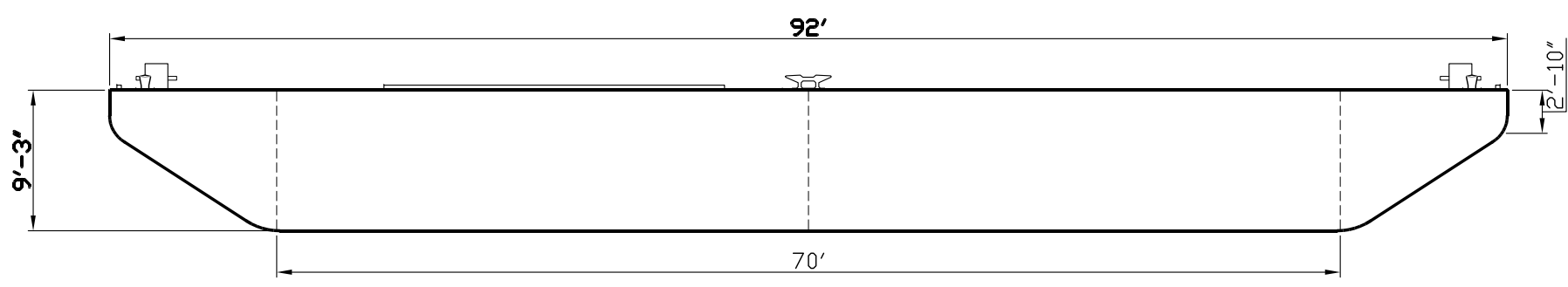


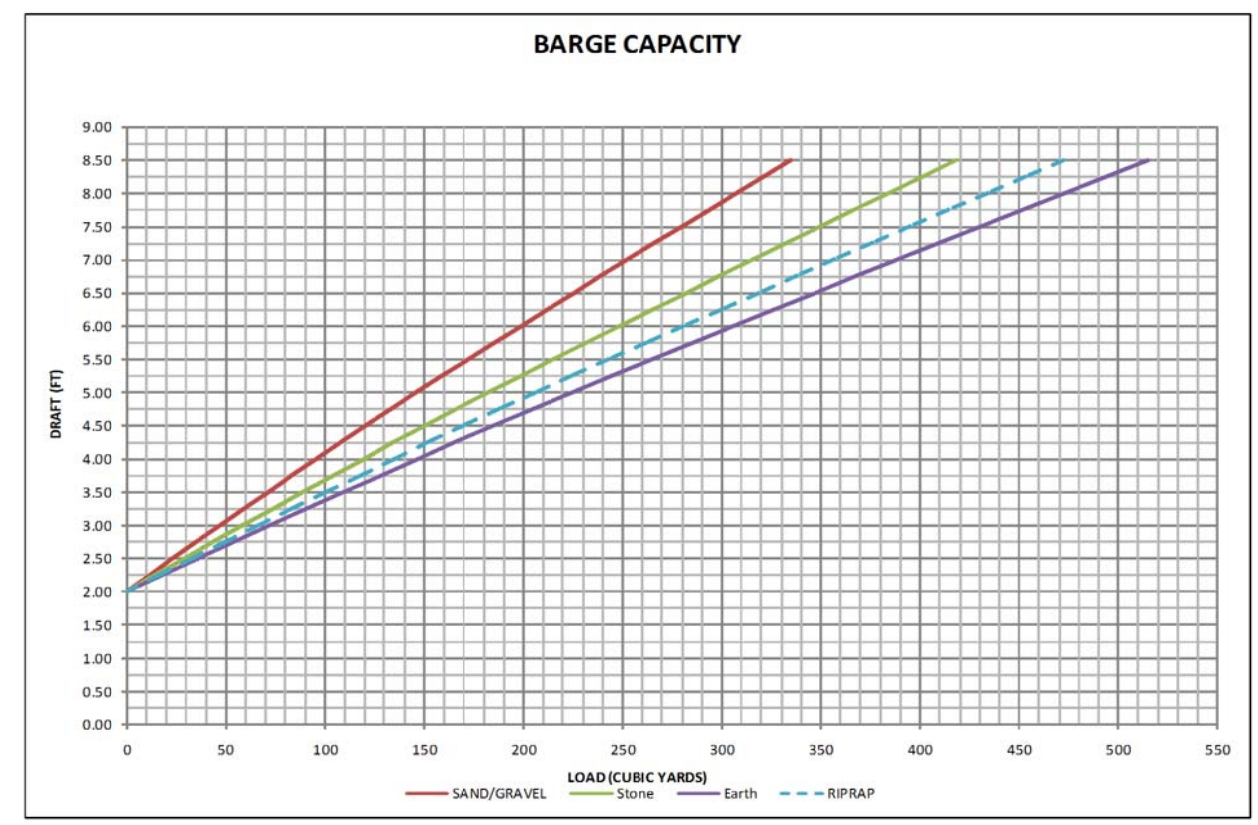
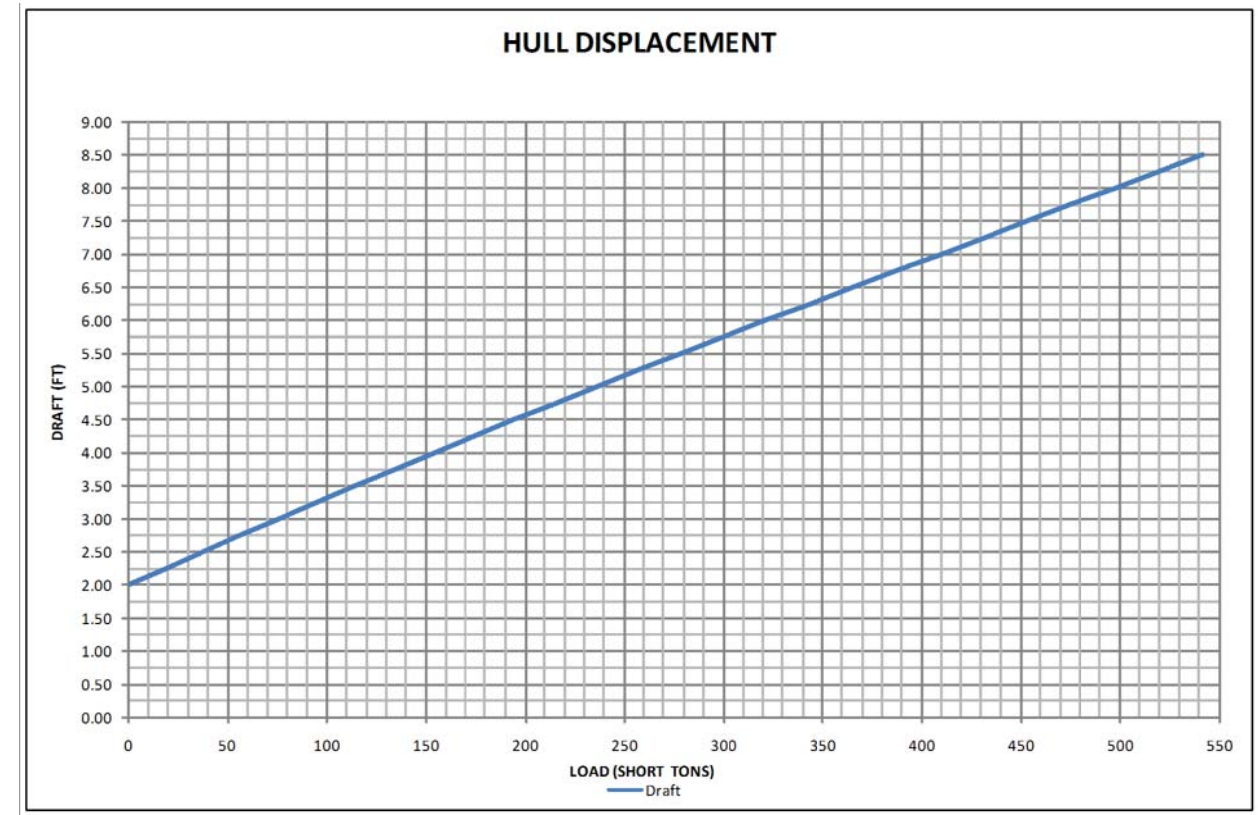
# BARGE No. 76



DECK PLAN



SECTION A-A



TYPE:	DECK BARGE	DESIGNER	
LENGTH:	92'	DRAFTER	EA
BEAM:	30'	CHECKED	DATE
DEPTH:	9'-3"	APPROVED	DATE
BULKHEADS:	(3) TRANSVERSE	REV.	DESCRIPTION
CAPACITY:	SEE CHART	DR.	APPR.
		DATE	

**MOHAWK**  
NORTHEAST, INC.  
170 CANAL ST. P.O. BOX 37  
PLANTSVILLE, CT 06479-0037

NAME OF PROJECT:  
BARGE No. 76  
DRAWING TITLE:

SCALE:  
AS NOTED  
DATE:  
05-07-09  
DRAWING NUMBER:  
1